

EN 1074 - 3 : 2000

Flanged Ends DN40 - DN600

BALL CHECK VALVE

i VALVE^R

Threaded Ends 1 1/4" - 3"

APPLICATION

General uses: waste water, sticky fluids, raising water (purification, water treatment, pumping...)

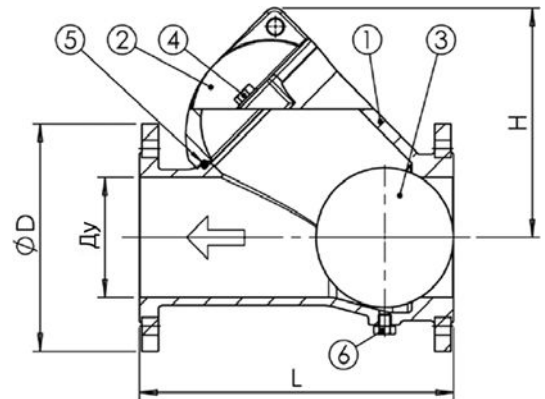
GENERAL CHARACTERISTICS

Design in accordance with standard EN12 334
 Dimension range: From DN 40 to DN 600
 Tight and working in horizontal or vertical position.
 Low head loss
 Full bore thanks to the moving of the ball
 Self - cleaning ball
 Lifting hook in the cover for easy handling
 Easy and quick disassembling cover
 Cap allowing the takeoff of the ball.
 Body: oven baked epoxy 250µm, RAL5005.



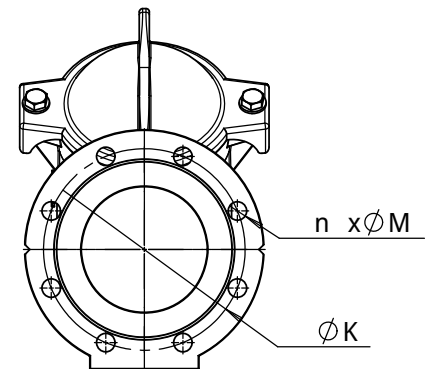
CONSTRUCTION

6	1	Degassing plug	Stainless steel
5	1	Gasket	Nitril
4	2/4	Nut	Stainless steel
3	1	Ball	Nitril coated steel
2	1	Bonnet	Ductile cast iron EN-GJS_500/7
1	1	Body	Ductile cast iron EN-GJS_500/7
Rep.	Nb.	Description	Material



DIMENSIONS

DN		L	H	Ø D	Ø K	n x Ø M	O Ring Ø int. x Ø torus	Minimum opening pressure (mbar)	Weight (kg)
mm	inch								
40	1 1/2	180	113	150	110	4 x Ø19	Ø59,7 x Ø5,3	6,9	6,00
50	2	200	145	165	125	4 x Ø18,5	Ø68,4 x Ø5,3	12,6	9,45
65	2 1/2	240	169	185	145	4 x Ø18,5	Ø105,4 x Ø5,3	20,5	14,0
80	3	260	169	200	160	8 x Ø18,5	Ø105,4 x Ø5,3	12,0	15,1
100	4	300	211	220	180	8 x Ø18	Ø133,6 x Ø5,7	16,0	22,7
125	5	350	275	250	210	8 x Ø18	Ø188,6 x Ø5,7	41,6	38,1
150	6	400	294	285	240	8 x Ø22	Ø188,6 x Ø5,7	25,7	47,8
200	8	500	395	340	295	8 x Ø22	Ø257,8 x Ø8,6	26,7	91
250	10	600	482	400	350	12 x Ø22	Ø317,8 x Ø8,6	32,5	144
300	12	700	573	455	400	12 x Ø22	Ø382,8 x Ø8,6	35,7	222
350	14	800	654	505	460	16 x Ø23	Ø455 x Ø10	54,2	367
400	16	900	781	565	515	16 x Ø26	Ø530 x Ø10	64,0	499
500	20	1100	880	670	620	20 x Ø27	-	-	580
600	24	1300	1030	780	725	20 x Ø30	-	-	1080



WORKING CONDITIONS

Maximum working pressure: 16 bar.
 Temperature scope: -10°C / +80°C

Pressure test according to standards EN 12266-1, ISO 5208

Body	24bar
Seat	16bar

STANDARDS

Manufacture made according to the requirements of the European directive 97/23/CE «Equipment under pressure»
 EN 1074-3 : 2004
 Face to face according to standards EN 558-1
 Standard mounting flanges according to EN1092-2: PN10, PN16

