



Service Valve, inside/inside thread BSP inside threaded Gate Valve IV049 house connection valve

Service Valve inside/inside thread BSP inside threaded Gate Valve

Service Valve, inside/inside thread, which is designed and manufactured for use in water, waste water, and sewage. Main usage is for isolation purposes. Full bore design makes it possible to be used bi-directionally and the fluid could clean the sealing surface area every time the valve is opened.

Main Features

- Huge convenience in daily water-using and repairing
- Online replacement of O-Rings under pressure when valve fully open
- Class A sealing (ZERO LEAKAGE)
- 100% testing before packing and delivery.
- Completely free and full bore self-cleaning & low-pressure loss.
- Clockwise closing (CWC) as standard, anticlockwise closing upon request.
- Bonnet bolts are in Galvanized Carbon Steel, and sealed with hot melt to prevent corrosion. Stainless steel materials upon request.
- O-ring bonnet gasket wraps each bolt to prevent corrosion and leaking.
- High quality EPDM wedge rubber
- DN20/DN25/DN32 wedge core with brass material
- WRAS approved epoxy coating for drinking water as standard.
- WRAS approved rubber parts for drinking water upon request
- thread protection plastic cover upon request.

Standards

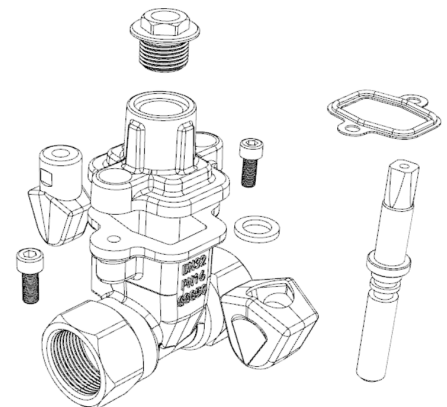
- Hydraulic tests according to EN-12266-1, Class A
- Designed to EN1074-2
- BSP threads to EN10226/1 or EN ISO 228-1 G thread
NPT threads upon request

Operations

- Handwheel
- Square cap
- Extension spindle
- T-key for operation

Service Fields

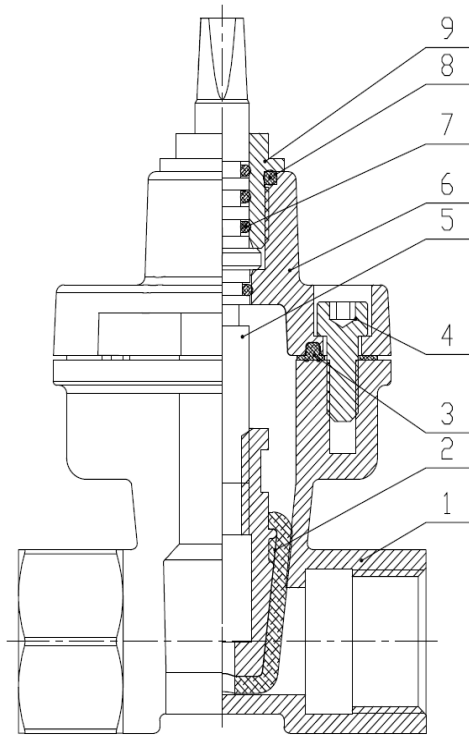
- House water connection
- Service Connection
- Indoor / outdoor water brand piping
- Water and neutral water



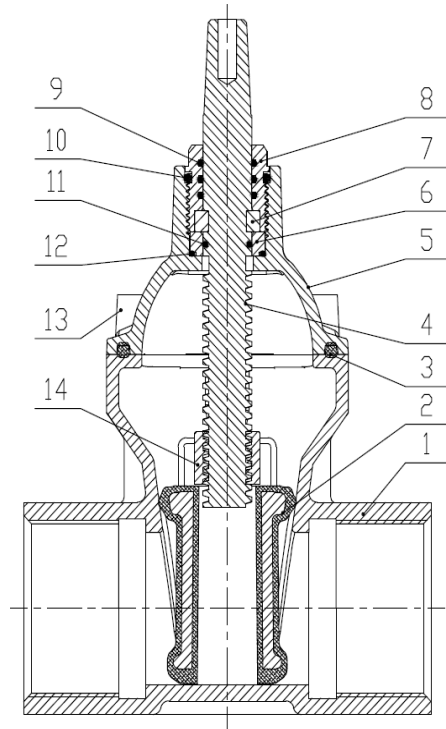


Service Valve, inside/inside thread BSP inside threaded Gate Valve IV049 house connection valve

Technical details



DN20 / 25 / 32



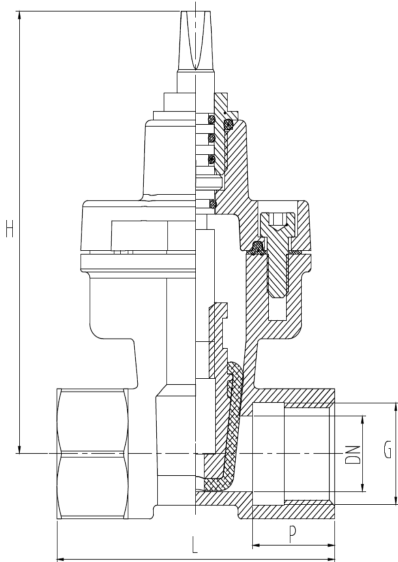
DN 40 / 50

No.	Component	Standard Material	Optional upon request
1	Body	Ductile Cast Iron GJS 500-7	
2	Disc	EPDM + Brass (DN20/25/32) EPDM + Ductile Iron (DN40/50)	WRAS Approved EPDM
3	Bonnet Gasket	NBR	EPDM
4	Stem	Stainless Steel AISI 420	Stainless Steel AISI 431/304/316
5	Bonnet	Ductile Cast Iron GJS 500-7	
6	Thrust Washer	CuZn39Pb1 Brass	Bronze
7	Thrust	CuZn39Pb1 Brass	Bronze
8	Thrust Nut	CuZn39Pb1 Brass	Bronze
9	O-Ring	NBR	EPDM
10	O-Ring	NBR	EPDM
11	O-Ring	NBR	EPDM
12	O-Ring	NBR	EPDM
13	Bolts	Galvanized Steel	Stainless Steel AISI 304/316
14	Stem Nut	CuZn39Pb1 Brass	Bronze



Service Valve, inside/inside thread BSP inside threaded Gate Valve IV049 house connection valve

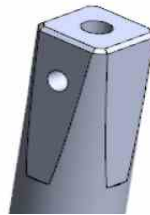
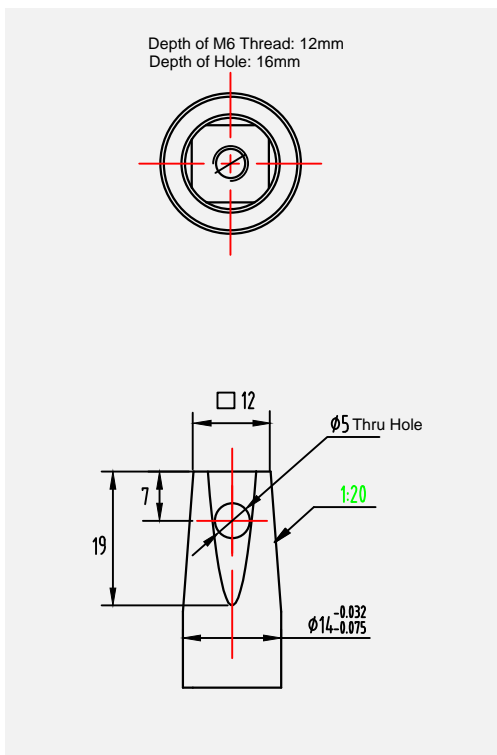
dimension



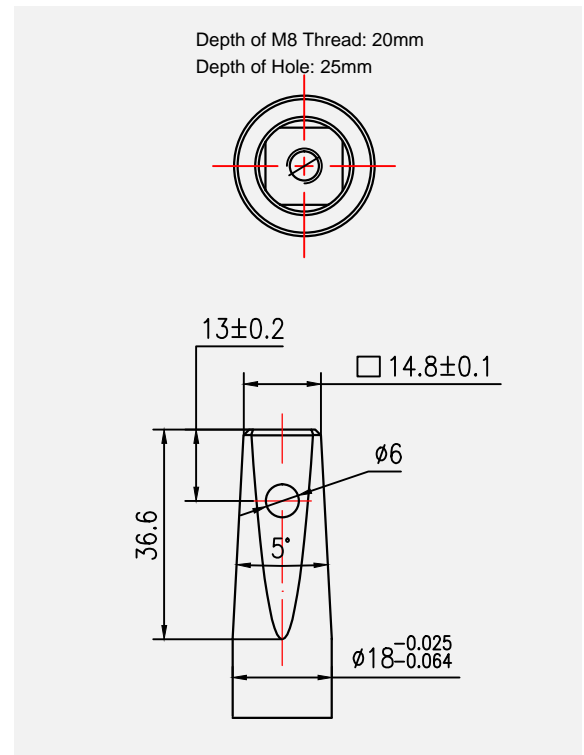
Size DN	G (inch) BSP thread	L (mm) end- end	H (mm)	P (mm)	Torque (N.m.)
DN20	3/4"	95	145	27	15 N.m
DN25	1"	105	145	30	15 N.m
DN32	1 1/4"	120	150	32	15 N.m
DN40	1 1/2"	130	202	37	30 N.m
DN50	2"	150	197	45	30 N.m

shaft end dimension

DN20, DN25, DN32



DN40, DN50





Service Valve, inside/inside thread BSP inside threaded Gate Valve IV049 house connection valve

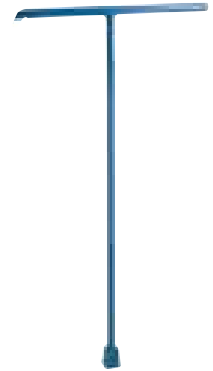
TELESCOPIC EXTENSION SPINDLE



Extension Spindle



Extension Spindle
with protection tube



Operating T-Key

Mounting instruction

TELESCOPIC EXTENSION SPINDLE



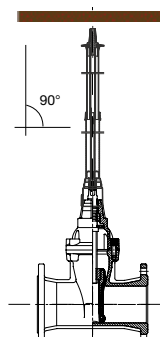
!



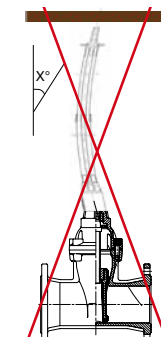
**DN 50-125:
Max. 200 Nm**

**DN 150-400:
Max. 400 Nm**

**DN 450-600:
Max. 500 Nm**



90°



X°